

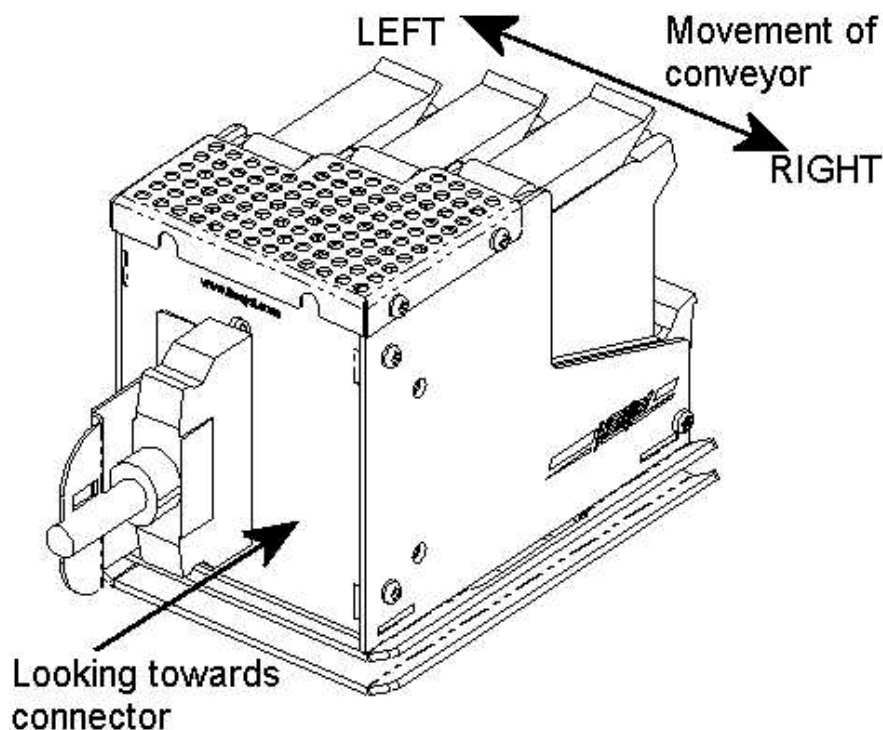
# HP Head Types

This is an overview of the different head types available for HP systems. All of these heads are useable on CU and CB platforms, and 1 / 2 pen heads also on TCU platform.

Notice that all heads can print in all positions, if you can fit the head / cable, there is no problem in using a "TOP" version to print on the side or vice-versa.

When you order 2, 3, or 4 pen heads, you are asked to choose a direction. This is needed because the sole under the head is made for one print direction only. The sole can be changed later with a reverse model.

**The print direction is always seen from *behind* the head, as this example shows:**

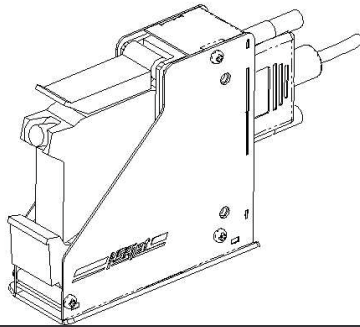


In both sides of the heads, there are holes to mount brackets.

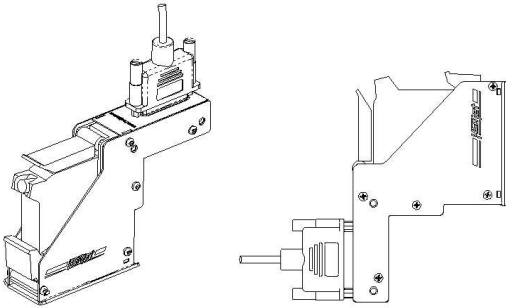
These holes are for M4 screws, and 50 mm apart.

# 1 pen heads

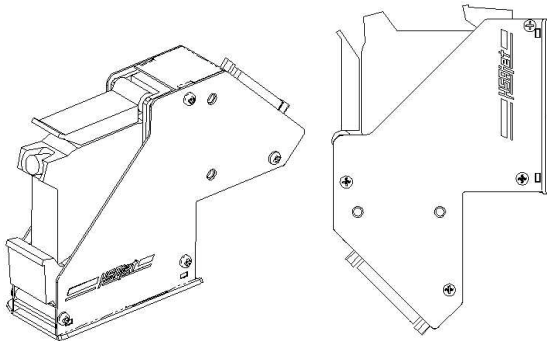
All 1 pen heads have a 25 pin SUB-D connector, and thread holes to mount bracket.



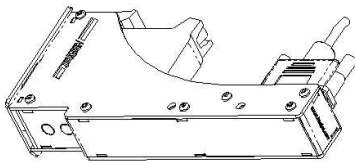
**HPHEAD1-TOP**



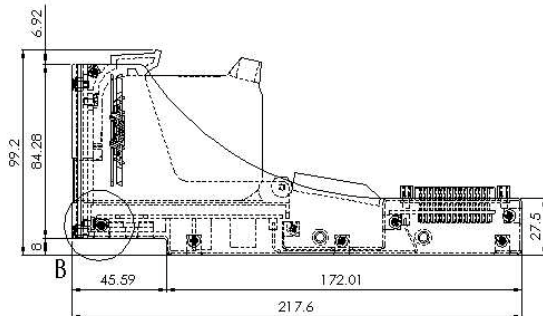
**HPHEAD1-SIDE**



**HPHEAD1-ANGLE**

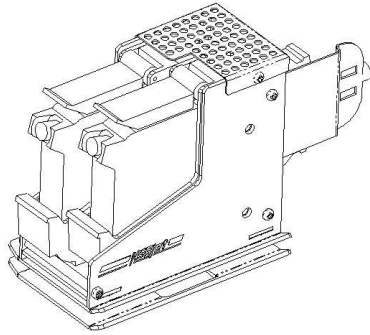


**HPHEAD1-SIDELOW**

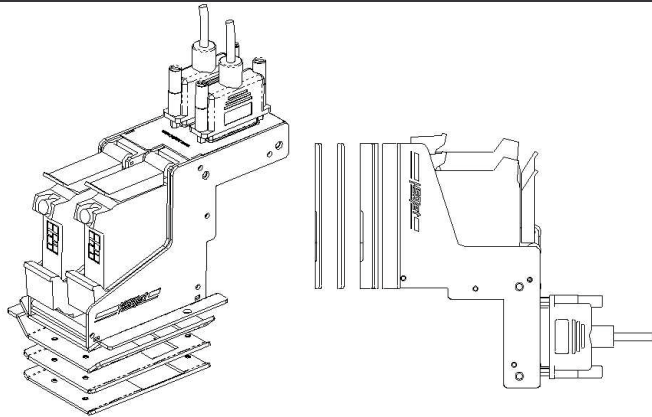


## 2 pen heads

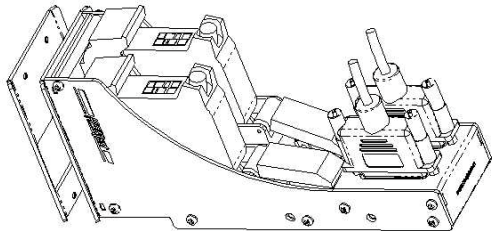
All 2 pen heads have 2 x 25 pin SUB-D connector and thread holes on both sides to mount bracket. There is 2 different models of each: Left and Right. Direction as views from BEHIND head, towards the connector. Soles can be re-fitted for later change of direction.



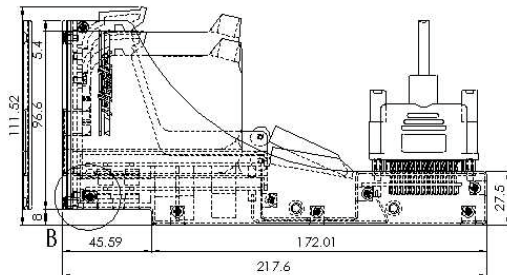
**HPHEAD2-TOP**



**HPHEAD2-SIDE**

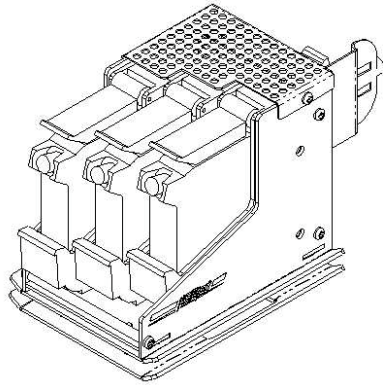


**HPHEAD2-SIDELOW**



### 3 pen heads

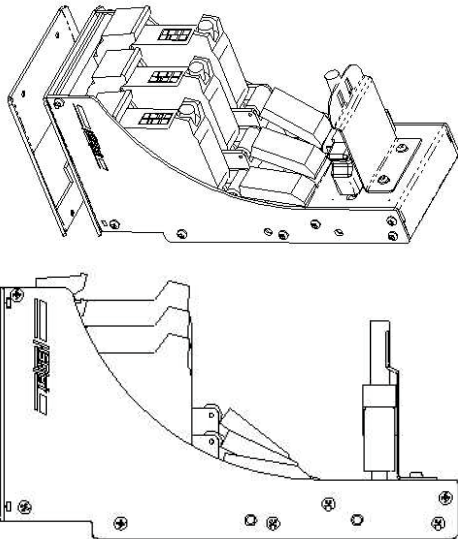
All 3 pen heads have 1 x 68 pin SCSI connector and thread holes on both sides to mount bracket. There is a cable restrainer mounted. There is 2 different models of each: Left and Right. Direction as viewed from BEHIND head, towards the connector. Soles can be re-fitted for later change of direction. Not available with TCU.



**HPHEAD3-TOP**



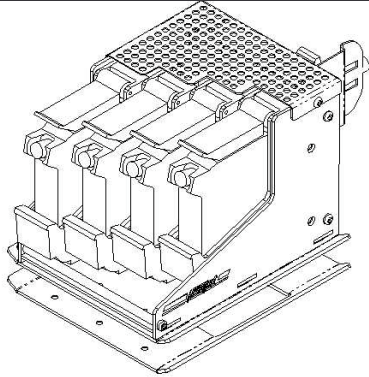
**HPHEAD3-SIDE**



**HPHEAD3-SIDELOW**

## 4 pen heads

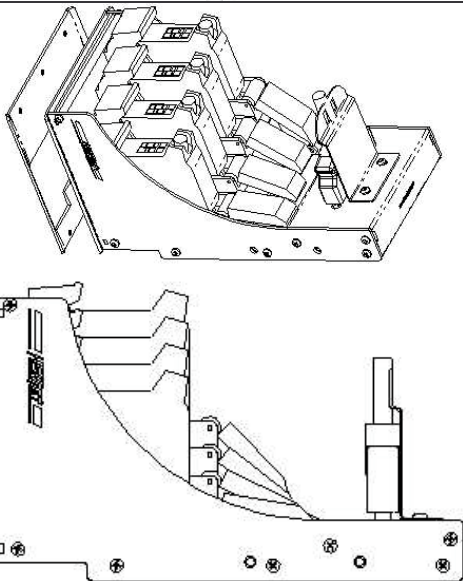
All 4 pen heads have 1 x 68 pin SCSI connector and thread holes on both sides to mount bracket. There is a cable restrainer mounted. There is 2 different models of each: Left and Right. Direction as viewed from BEHIND head, towards the connector. Soles can be re-fitted for later change of direction. Not available with TCU.



**HPHEAD4-TOP**



**HPHEAD4-SIDE**



**HPHEAD4-SIDELOW**